

OZZY-STAINLESS STEEL BODY INGROUND LIGHT

TECHNICAL SHEET

OD-ING-1102/2102/3102/4102



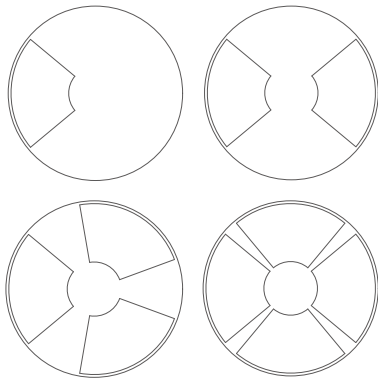
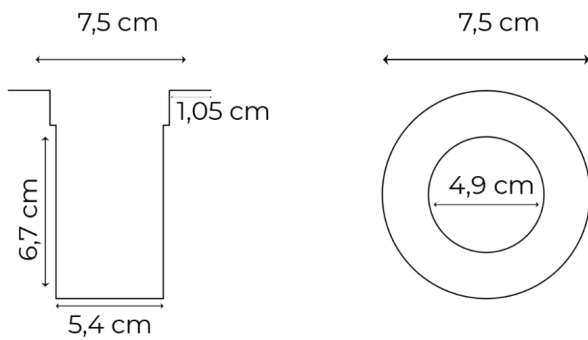
KEYLIGHT

SPAIN

PRODUCTOS DE ILUMINACION

FEATURES

- GU10
- CE ROHS Certified
- Tempered Glass Diffuser
- 3-Years Warranty



SPECIFICATIONS

Product Code	OD-ING-1102	OD-ING-2102	OD-ING-3102	OD-ING-4102
Input	220-240V			
Lamp Holder	GU10			
Material	Stainless Steel SS304			
IP Rating	IP65 Class 1			
Dimensions	ø75mm*95mm			
Warranty	3 Years			